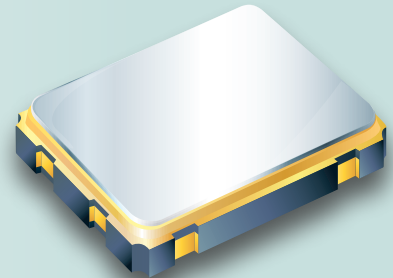


SMD Crystal Oscillators- CMOS Output 7.0 x 5.0 x 1.3 mm 7W Series

Features

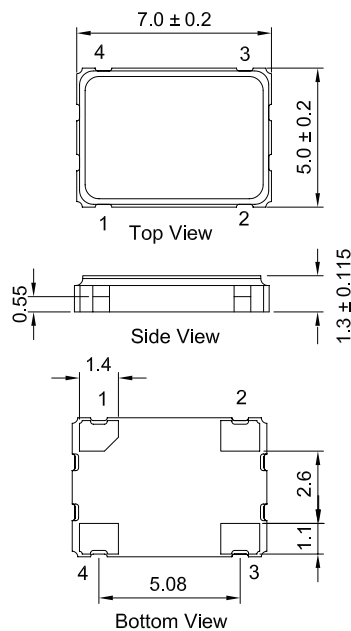
- Small SMD seam sealed clock crystal oscillator units.
- High precision characteristic covering up to wide frequency range.
- Designed for automatic mounting and reflow soldering.
- Tri-State function available.
- Supply voltage range : 1.8 V ~ 5 V.
- High stability, low jitter, low power consumption.
- Main application : wireless communication, PC, and LCDM.
- RoHS Compliant / Pb Free.



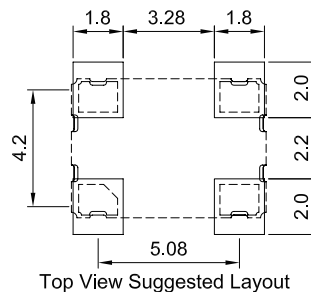
Electrical Specifications

| Item / Type | 7W | | |
|-------------------------------------|---------------------------------|-----------------------|---------------|
| Output Type | CMOS | | |
| Output Load | 15 pF | 15 pF , 30 pF | 15 pF , 50 pF |
| Oscillation Mode | Fundamental / 3rd Overtone | | |
| Supply Voltage | 1.8 V | 2.5 V , 2.8 V , 3.3 V | 5 V |
| Frequency Range | 1 ~ 170 MHz | | |
| Frequency Stability | ± 25 ppm , ± 50 ppm | | |
| Operating Temperature Range | - 10 ~ + 70 °C , - 40 ~ + 85 °C | | |
| Storage Temperature Range | - 55 ~ + 125 °C | | |
| Voltage Vol (Max.) / Voh (Min.) | 0.1 VDD / 0.9 VDD | | |
| Rise (Tr) / Fall (Tf) Time | 8 ns Max. | | |
| Supply Current | 20 mA Max. | | |
| Symmetry | 40 ~ 55 % , 40 ~ 60 % | | |
| Start-up Time | 5 ms Max. | | |
| Phase Jitter (12 KHz ~ 20 MHz) | 1 ps Max. | | |
| Aging (at 25 °C) | ± 3 ppm / year Max. | | |

Dimensions



PAD FUNCTION:
 1: ENABLE CONTROL
 2: GND
 3: OUT
 4: VDD



Units: mm