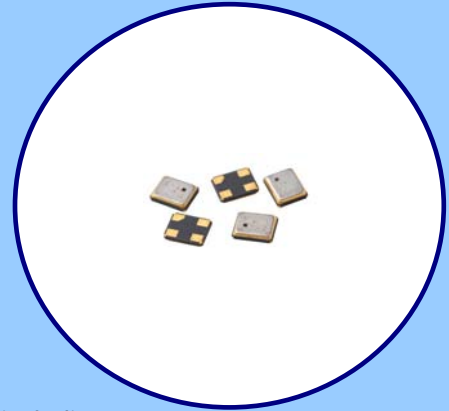


FEATURES

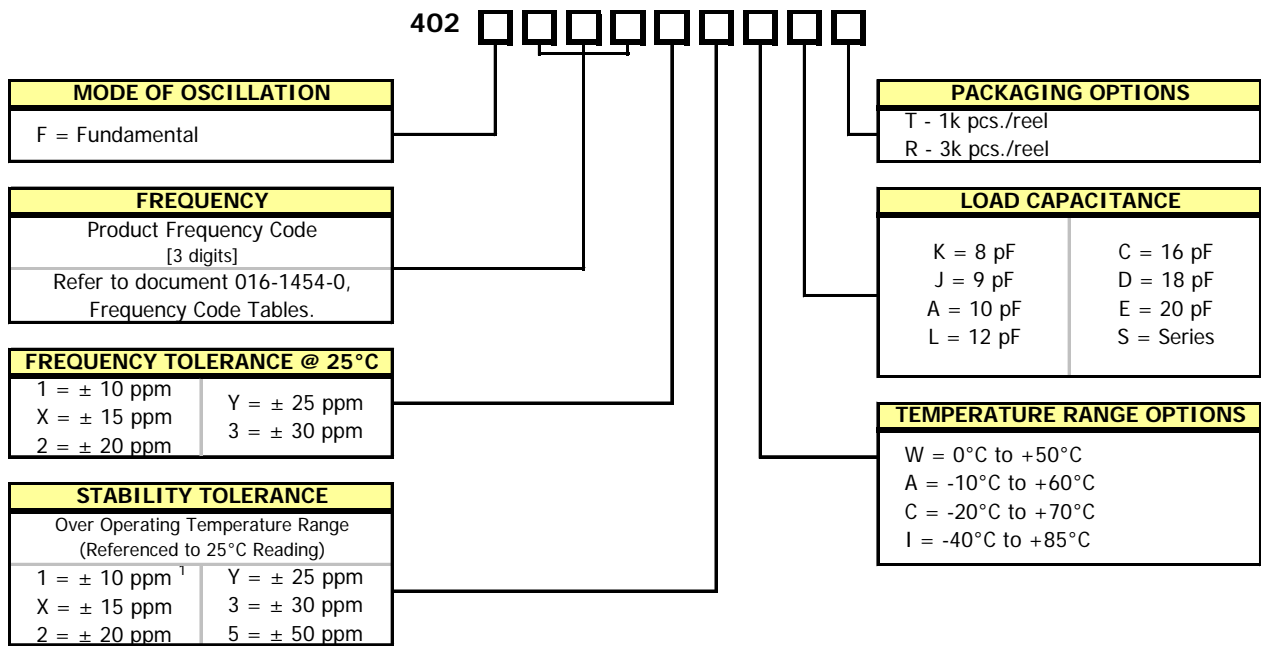
- **Standard 2.0mm x 1.6mm Seam Weld Package**
- **Fundamental Crystal Design**
- Frequency Range 16 – 60 MHz
- Frequency Tolerance, ± 20 ppm Standard [other tolerances available]
- Frequency Stability, ± 30 ppm Standard [other stabilities available]
- Operating Temperature to -40°C to $+85^{\circ}\text{C}$
- Tape & Reel Packaging Standard, EIA-481
- **RoHS/Green Compliant [6/6]**



APPLICATIONS

Model 402 is a low cost device used in a wide range of commercial applications including notebooks, computer peripherals, audio visual, Bluetooth and USB interfaces, PDAs, and automotive electronics.

ORDERING INFORMATION

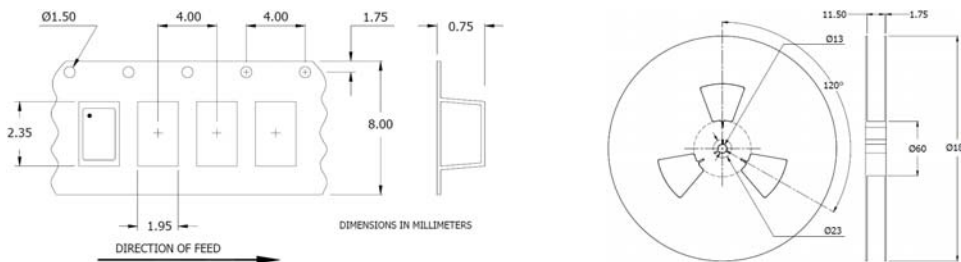


1] Only available with temperature range code "W, A & C".

**Not all performance combinations and frequencies may be available.
Contact your local CTS Representative or CTS Customer Service for availability.**

PACKAGING INFORMATION [Reference]

Device quantity is 1k pieces minimum and 3k pieces maximum per 180mm reel.



ELECTRICAL CHARACTERISTICS

PARAMETER		VALUE		
ELECTRICAL PARAMETERS	Frequency Range	16 MHz to 60 MHz		
	Operating Mode	Fundamental		
	Crystal Cut	AT-Cut		
	Frequency Tolerance @ +25°C	±20 ppm, Standard		
	Frequency Stability Tolerance (Operating Temperature Range, Referenced to 25°C Reading)	±30 ppm, Standard		
	Operating Temperature Ranges	0°C to +50°C	-10°C to +60°C	
		-20°C to +70°C	-40°C to +85°C	
	Equivalent Series Resistance [Maximum]	16 MHz - < 20 MHz	300 Ohms	
		20 MHz - < 30 MHz	200 Ohms	
		30 MHz - < 40 MHz	100 Ohms	
		40 MHz - 60 MHz	60 Ohms	
	Load Capacitance	See Ordering Information		
	Shunt Capacitance (C ₀)	3.0 pF Typical, 7.0 pF Maximum		
	Drive Level	10 μW Typ., 100 μW Max.		
Aging @ +25°C	±3 ppm/yr Typical			
Insulation Resistance	500M Ohms @ DC 100V			
Storage Temperature Range	-40°C to +85°C			

MECHANICAL SPECIFICATIONS

PACKAGE DRAWING



MARKING INFORMATION

1. M402 - CTS Model Series.
2. D – Date code. See Table I for codes.
3. XXX – Frequency code. Reference CTS document 016-1454-01.

NOTES

1. Complete CTS part number, frequency value, date code and manufacturing site code information must appear on reel and carton labels.
2. Terminations #2, #4 and the metal lid are connected internally. End user may connect these pins to circuit ground.
3. Termination pads (e4); barrier plating is nickel [Ni] with gold [Au] flash plate.
4. Reflow conditions per JEDEC J-STD-020; 260°C maximum, 10 seconds.
5. MSL = 1.

SUGGESTED SOLDER PAD GEOMETRY

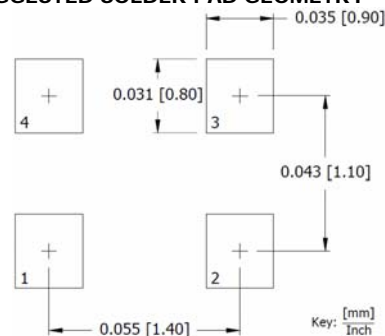


TABLE I – DATE CODE

YEAR		MONTH				JAN	FEB	MAR	APR	MAY	JUN	JUL	AUG	SEP	OCT	NOV	DEC
		2001	2005	2009	2013												
2001	2005	2009	2013	2017	A	B	C	D	E	F	G	H	J	K	L	M	
2002	2006	2010	2014	2018	N	P	Q	R	S	T	U	V	W	X	Y	Z	
2003	2007	2011	2015	2019	a	b	c	d	e	f	g	h	j	k	l	m	
2004	2008	2012	2016	2020	n	p	q	r	s	t	u	v	w	x	y	z	