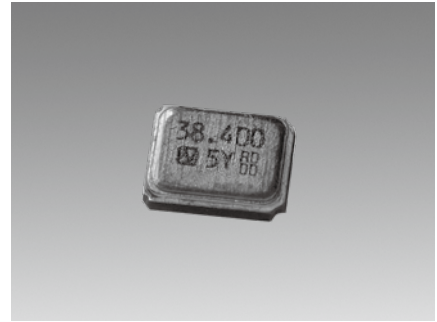


NX1612SB

For Mobile Communications

■ Features

- Crystal Unit with built-in Thermistor construction.
- Minimize circuit design space by combining crystal unit into one component.
(Presently, Crystal unit and temperature sensor is mounted in one board separately.)
- Placing temperature sensor(Thermistor) close to Crystal blank in one airtight housing can detect more precise crystal blank temperature. Improvement on frequency temperature compensation compared to present Crystal unit.
- Single cavity housing which is ideal to module applications.
- External configuration size is 1.6x1.2mm typ., H0.45 mm max.
- A surface-mount crystal oscillator. (Reflow soldering is possible.)
- Lead-free. Meets the requirements for re-flow profiling using lead-free solder.



Pb Free

RoHS Compliant
Directive 2011/65/EU

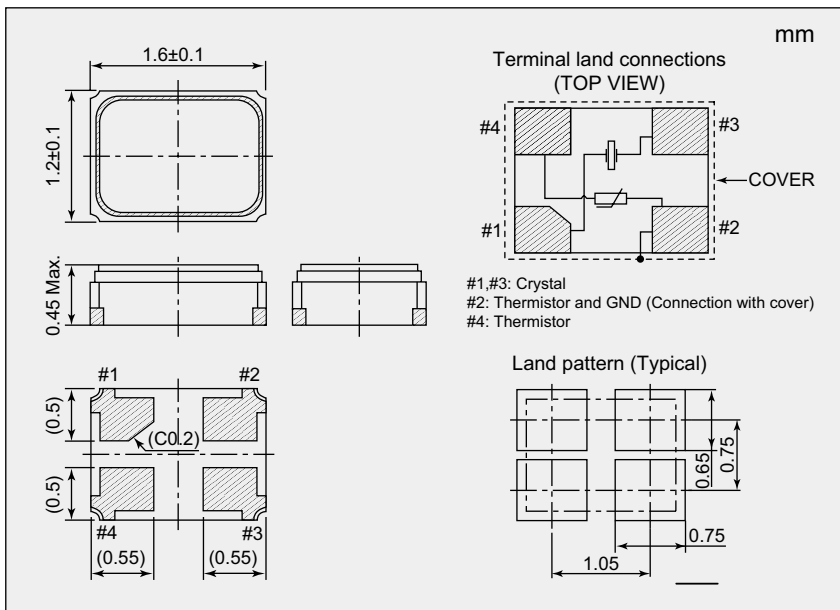
■ Specifications

| Item | Model | NX1612SB |
|---|-------|------------------------|
| Nominal Frequency | | 26 to 52 MHz |
| Overtone Order | | Fundamental |
| Frequency Tolerance (25 ± 3°C) | | ±10 × 10 ⁻⁶ |
| Frequency versus Temperature Characteristics (with reference to +29 °C) | | ±12 × 10 ⁻⁶ |
| Operating Temperature Range | | -30 to +85 °C |
| Storage Temperature Range | | -40 to +85 °C |
| Equivalent Series Resistance | | Refer to *1 |
| Level of Drive | | 10 μW |
| Load Capacitance | | 7 pF |

NTC Thermistor for Temperature Sensor

| | |
|---------------------|--------------|
| Resistance [R25] | 100k Ω ± 1 % |
| B-Constant [B25-50] | 4250K ± 1 % |

■ Dimensions



*1 Equivalent Series Resistance

| Nominal Frequency (MHz) | Equivalent Series Resistance max. [Ω] |
|-------------------------|---------------------------------------|
| 26 to 38.4 | 80 |
| 38.4 to 52 | 50 |

Please specify the model name, frequency, and specification number when you order products.
For further questions regarding specifications, please feel free to contact us.